



CMX-DET Product Bulletin

Metal detectable for food beverage and pharma industries

BULLETIN

Revision Number. 1.1

Last Edited 15. mar. 2023



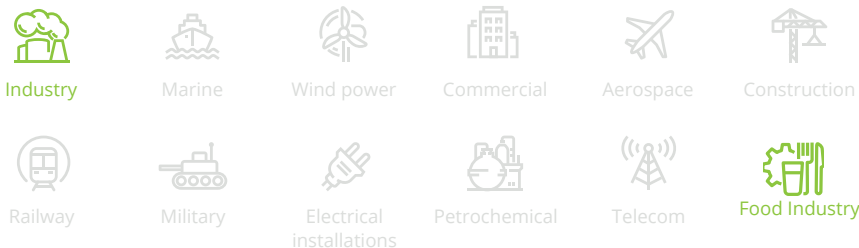
Cable Markers extruded from Polyether based TPU compound. Optimised to the operation of the most usual metal detectors and x-ray detectors. The compounds meets requirements for food contact compliant with EU and FDA requirements. Compound is hydrolysis "No break down in water" and micro organism resistant.

In food production with open production processes it is advisable to use materials that are easily detectable. Link Solutions offers products that are simple to detect. They make an important contribution to quality management for the food industry, particularly when following the HACCP approach.

The labels are fixed to the cable or wire using detectable cable ties at both ends. The product is supplied as an all-in-one construction, where the extruded material also functions as the carrier.

The markers are partially perforated for easy picking after printing and supplied on rolls for thermal transfer printing.

Industry



STANDARD COLOR



RAL 5012 -

MATERIAL

Polyether based TPU.

STANDARDS

FDA "Food & Drug" 21 CFR - GRAS

"generally accepted as safe"

Regulation (EU) No 10/2011

Plastics intended to come into contact with food.

AP 89 1 - European Resolution

Pigments used for coloration

APPLICATIONS

Developed to be used in Food Industry and other Industries requiring detection through metal detectors or X-ray equipment.

Recommended Printer

CAB A4+M - SQUIX 4.3 MP

Optional Printer

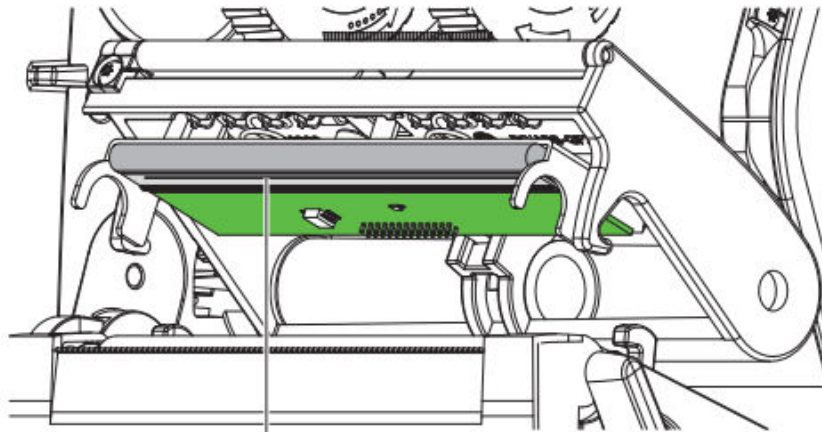
CAB EOS 2 - CAB EOS 5 with optional printer kit.

The CAB EOS 2 and CAB EOS 5 **MUST** be used in conjunction with additional springs mounted as shown on page 2

Ordering Info Printer kit EOS 2 / EOS 5

PART NUMBER

PART NUMBER	DESCRIPTION	QTY
5906104.001	Spring	2 PCS



1 Printhead

Springs

